

PED 700

Fire rated



PED 700

- Panic exit device with central locking point - Mortise

EN 1125 certification:



Characteristics

- Push bar type
- Certified with locks with panic function (72 and 92 mm axis)
- For Fire and Smoke applications
- High durability 200,000 cycles
- For one or double leaf door up to 200 kg
- For all types of the door
- For doors up to 1200 mm width in standard
- For doors up to 1400 mm width in option
- Zinc alloy cover 38 mm width
- Aluminium touch bar 1046 mm long
- Bar to be cut
- 73 mm projection
- Micro switch version in option

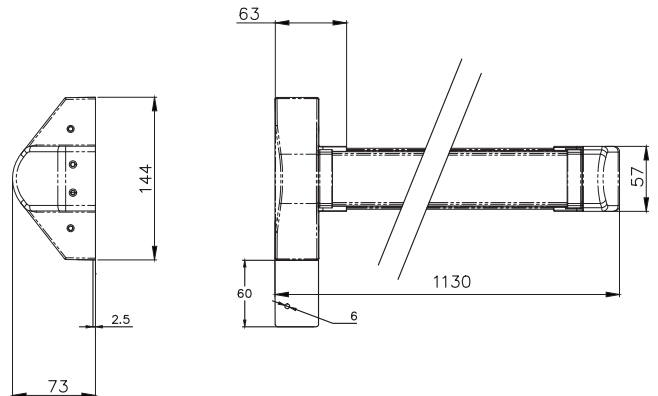


Accessories

- Outside trims (e.g. Sena series)
- Cylinder (MKS possible)
- Various strikers
- Certified locks series: 1739, 1769, 1901, 1921, 9670, N4500
- Various spindles

Finishes

- | | |
|-------------------|-------------------|
| Covers: | Bars: |
| • Black RAL 9005 | • Red RAL 3000 |
| • Silver RAL 9006 | • Silver RAL 9006 |
| • S/Steel effect | • S/Steel effect |



Ordering numbers

PED 700/--/GG	QUICK1E209GGAA	push bar	Mortise PED, 1200 mm wide door, 9mm follower, long baseplate, grey support and bar
PED 700/--/NR	QUICK1E209NRAA	push bar	Mortise PED, 1200 mm wide door, 9mm follower, long baseplate, black support and red bar
PED 700/--/SI	QUICK1E209SAAA	push bar	Mortise PED, 1200 mm wide door, 9mm follower, long baseplate, s/steel effect support and bar