

**Chain Drive Motor 24 V DC  
 Type Micro 92**

**Description:**

This motor is used for Hopper, top-hung and Pivoting sashes. The max. opening width is 250, respectively 380 mm. The motor is actuated via SHEVS or ventilation controls. Hermetically sealed drive in aluminum housing, silver anodized.

**Article No.**

200.380

**Specification:**

- Compressive force: 150 N
- Tensile force: 300 N
- Stroke: 250/380 mm reversible
- Chain speed: 40 mm/sec.
- Rated voltage: 24 V DC
- Power consumption: 40 W
- Operating factor: 50 %
- Type of protection: IP 20
- Weight: 1.6 kg

**Note:**  
 Installation on Hopper sash  
 requires a scissor-type safety  
 catch!

Shut-down via integrated limit stops.

For Hopper sashes:  
 Min. height of sash 500 mm!  
 For sash heights from 500 to 1000 mm the stroke is max. 250 mm.  
 For sash heights above 1000 mm the stroke is 380 mm.  
 Space required for installation on window frame: min. 55 mm.

**Attention:**

- The window height must be at least 500 mm for stroke 250 mm, from 1000 mm stroke of 380 mm possible.
- For installation on Hopper sashes, the installer must make sure that the fitting that limits the opening angle does not interfere with the complete stroke length of the drive.

**Note:** Installation on Hopper sash requires a scissor-type safety catch!

**Accessory:**

Extended eye bolt for chain drive Micro 92

260.093

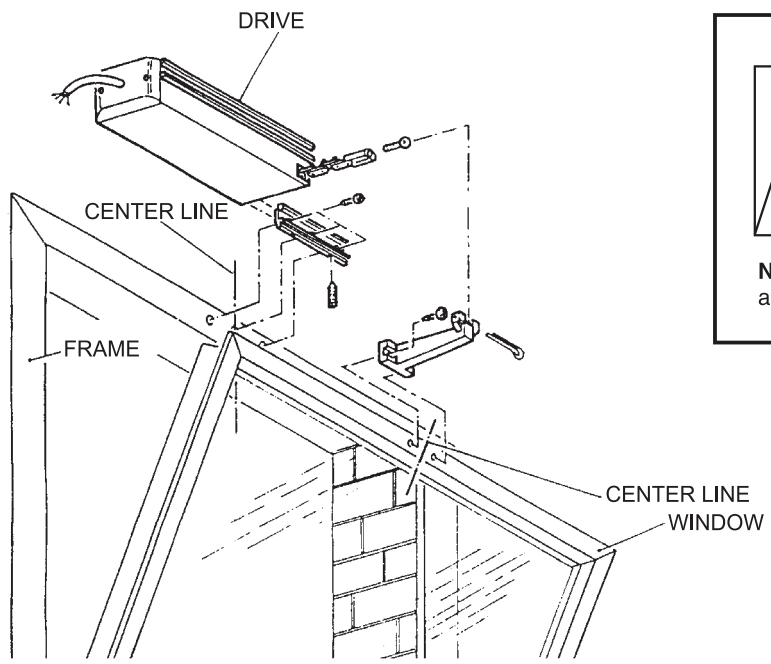
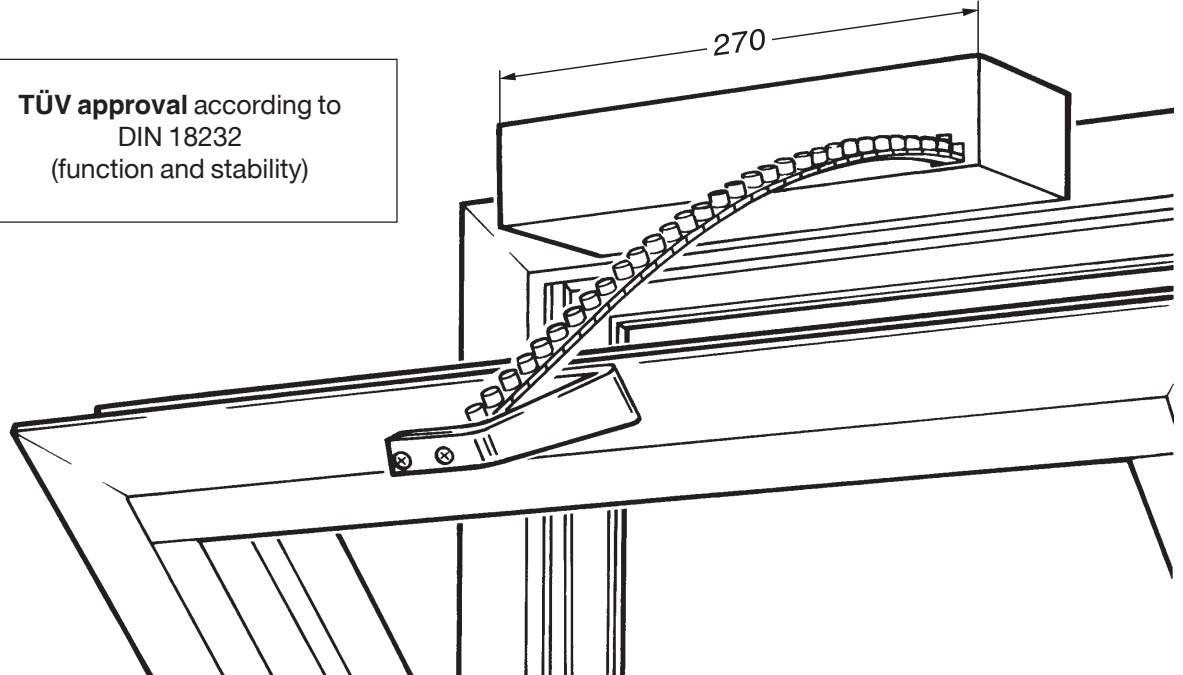
**Painting of motor housing type Micro 92**

290.017

The motor housing type Micro 92 is available painted in white (RAL 9010). For other RAL colors, please consult the manufacturer.

# Chain Drive Motor 24 V DC Type Micro 92

**TÜV approval** according to  
DIN 18232  
(function and stability)



Possible applications  
Hopper window

Select:  
Stroke length 250 for heights (H)  
between 500 and 1000 mm,  
Stroke length 380 for heights (H)  
between 1000 and 2000 mm

**Note:** Installation on hopper windows requires  
a scissor-type safety catch!

